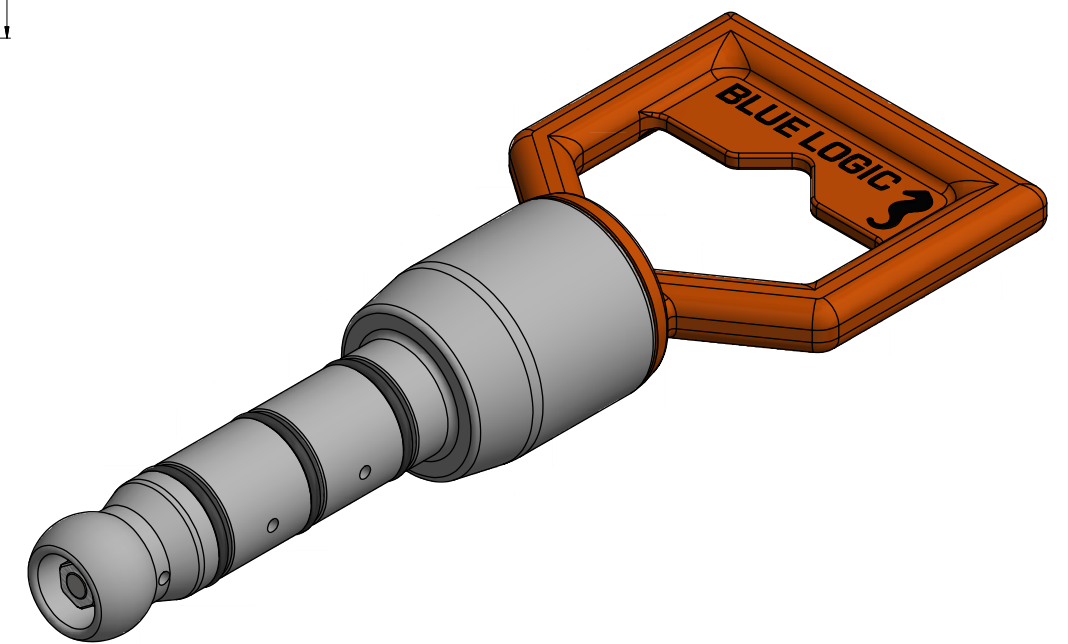
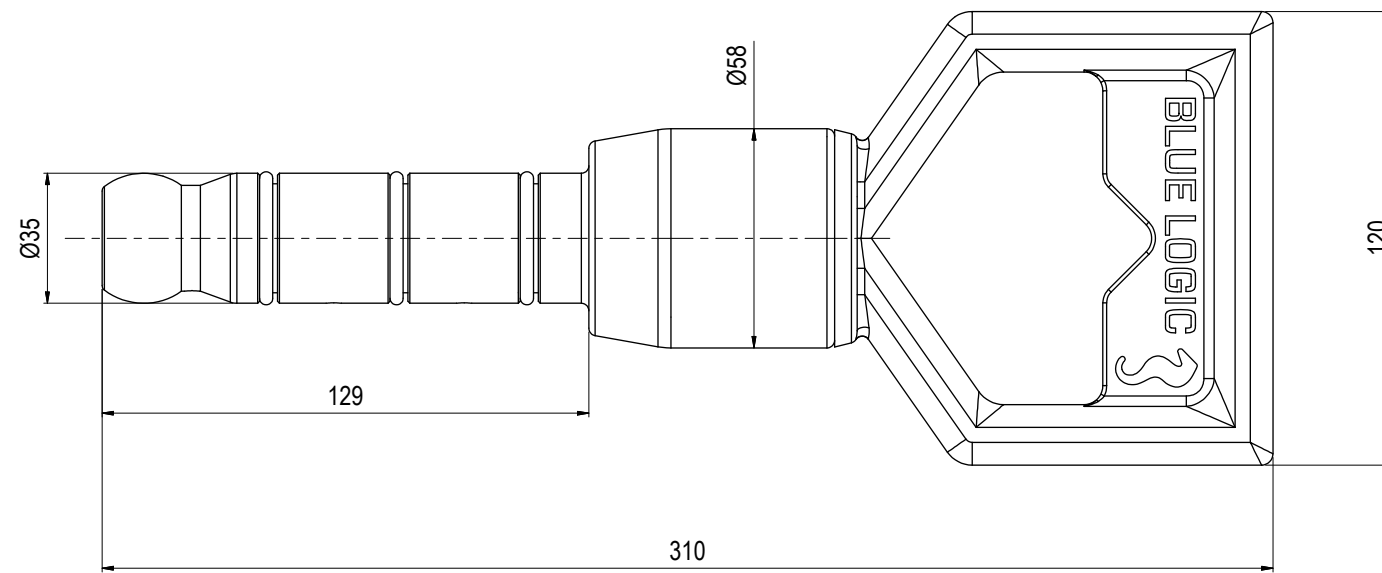
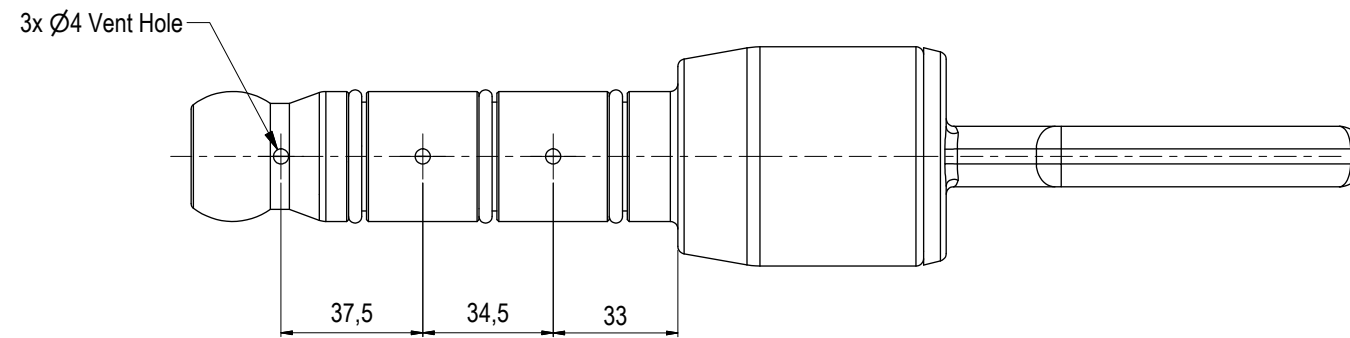


NOTE: 1
 DESIGN CODE:
 API 17H/6A

NOTE: 2
 TECHNICAL CLASSIFICATION:
 Article Type: 001-Hot Stabs
 Main Group: 1.01. Ø35 Hot Stab
 Intermediate Group: 1.1.03. Protection
 Sub Group: 1.1.3.02. Dual

NOTE: 3
 INTERFACE INFORMATION:
 Pressure Rating Bar: Vented
 Material: Long-term
 Weight: 1,3 kg
 Volume: 0,36 dm³
 Surface Area: 870 cm²
 Hydraulic: N/A
 Mechanical: N/A
 Electrical: N/A
 Com. & Protocol: N/A

NOTE: 4
 SPAREPARTS:
 BA5286



07	22.7.2021	9-IFU (Issued for Use)		WTJ	HNJ	WTJ
06	31.1.2017	9-IFU (Issued for Use)		HNJ	WTJ	HNJ
05	23.4.2014	9-IFU (Issued for Use)		WTJ	HNJ	WTJ
04	21.3.2013	7-IFC (Issued for Construction)		LAE	HNJ	LAE
Rev.	Date	Reason for issue	Revision change	Made	Chk'd	Appr.



Dwg Scale:
 NTS
 Dwg Proj:
 Dwg Format:
 A3

Drawing title:
 Ø35 DP Prot Stab Vented Long-term

Drawing number:
 PA0360

Rev.
 07